

**Technical Service Bulletin**

**6734 Slide Installation**

<b>ISSUE DATE:</b>	April 22, 2019	<b>TSB NUMBER</b>	TSB-19-002
--------------------	----------------	-------------------	------------

<b>HAZARD / URGENCY RATING</b>	
<b>X</b>	<b>DANGER – Injury possible if TSB not observed or followed</b>
<b>X</b>	<b>WARNING – Product damage possible if TSB not observed or followed</b>
	<b>CAUTION – Essential issue affecting operation, service, or parts</b>
	<b>INFORMATIONAL – Advisory which may be of interest</b>

**APPLICATION:**

This Technical Service Bulletin (TSB) applies to all Tulmar part number 6734 slides (s/n 6734-xx-xxxx).

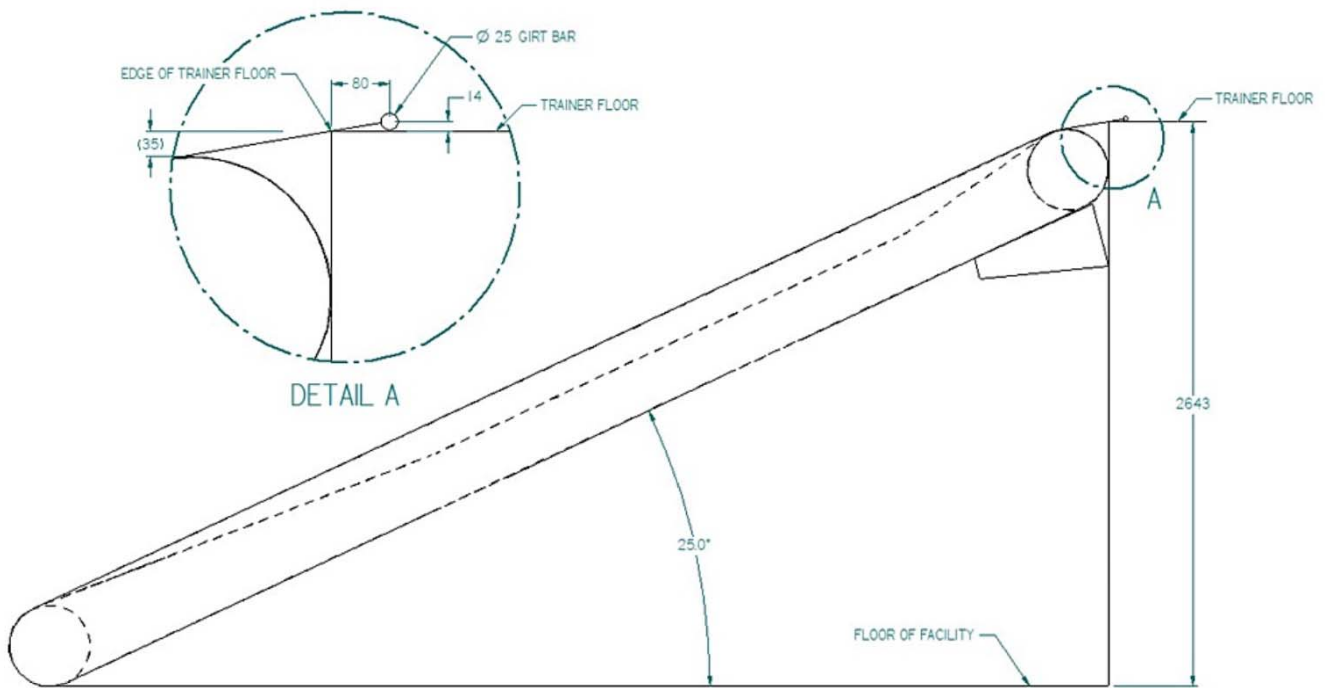
**SUMMARY:**

The Tulmar p/n 6734 training evacuation slide is designed to be installed on a cabin / door trainer with specific dimensions. Incorrect installation dimension can cause damage to the slide and may cause the slide to detach from the trainer allowing both the slide and the trainee(s) to fall to the ground. It is recommended to verify the installation dimensions and inspect the slide for damage. Replacement parts may be ordered to match incorrect installations.

**IMPACT:**

The Tulmar p/n 6734 slide is designed to be installed as per the dimensions shown in figure 1.

If it is installed on a trainer with dimensions that don't match the intended design, the slide can be damaged from overstressing critical component of the slide. The slide may unexpectedly detach from the trainer allowing trainees to fall to the ground. Typical damaged areas would include (but are not limited to) the girt, the girt attachment, and the girt-end air chamber.



**Figure 1: Tulmar P/N 6734 Slide Installation Dimensions (mm)**

## **ACTION:**

Visually inspect the slide. It may be necessary to deflate and / or remove the slide from the trainer to have complete access to visually inspect it. If any damage or defects are found, the slide must be returned to Tulmar or a Tulmar authorized repair center for further inspection and disposition.

Inspect the installation dimensions and compare to those in Figure 1. Make sure that no additional elements are altering the installation dimensions. For example, placing a 150mm thick floor mat under the foot end of the slide (without raising the training platform 150mm) has the same effect as lowering the trainer platform by 150mm – both would be an incorrect installation. If the installation dimensions do not match the design intent, contact Tulmar for further direction. It may be possible for Tulmar to modify the existing slide to fit to the actual trainer dimensions.

## **CONTACT:**

Please contact Tulmar at (613) 632-1282.