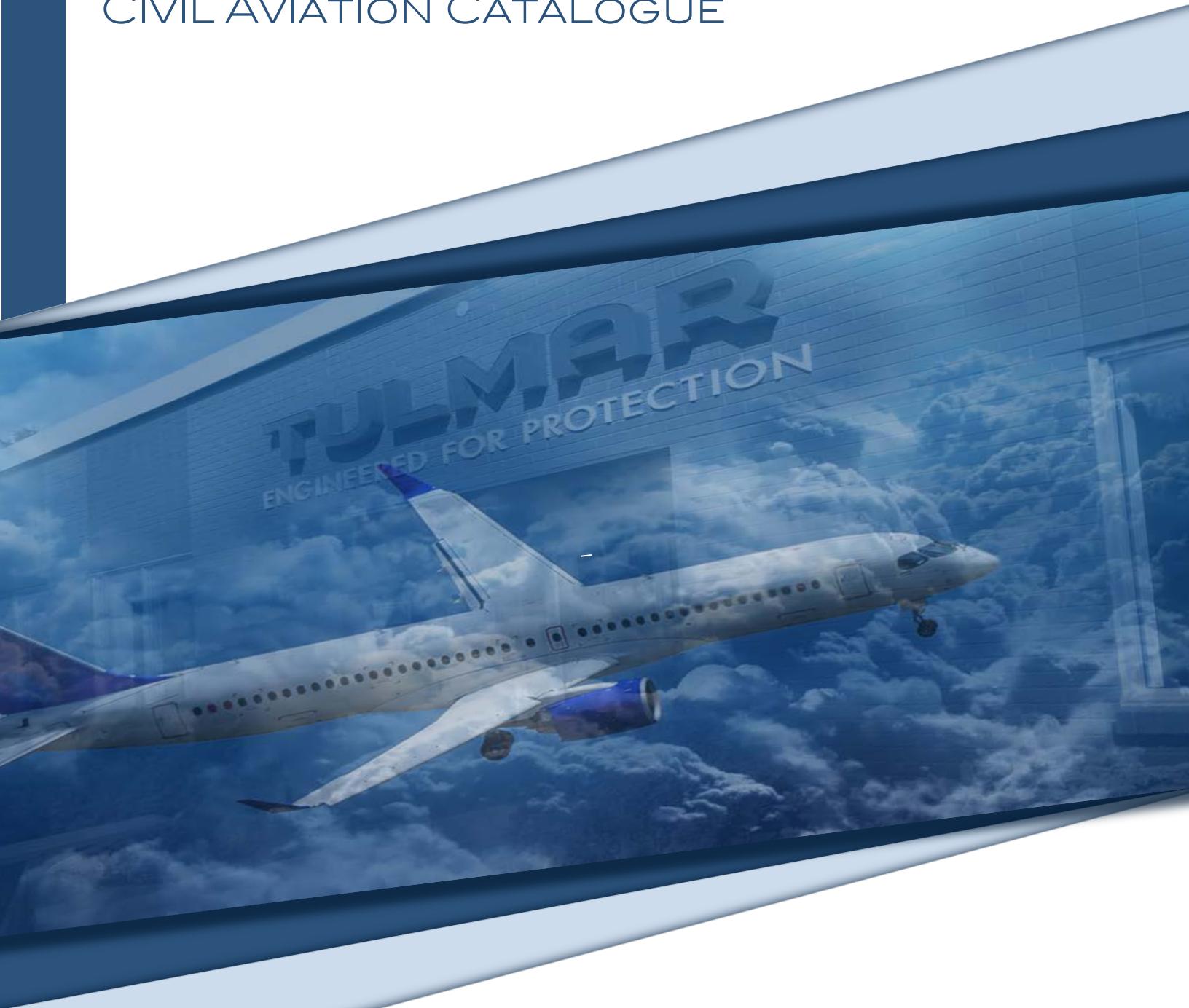


TULMAR

CIVIL AVIATION CATALOGUE



2019 Edition

CABIN SAFETY PRODUCTS

Tulmar designs and manufactures various safety equipment,
all available for sale and/or rental.

Our products are proven reliable and in use around the world.



TULMAR

TULMAR BABY BASSINET

Tulmar Baby Bassinet

Tulmar manufactures and distributes the Baby Bassinet to airlines around the world. Tulmar also supports all accessories and parts. The Tulmar Baby Bassinet is installed on the bulkhead of aircrafts.

FEATURES

Increased safety due to:

- Tulmar's Baby Bassinet is equipped with three wall anchors, ensuring sturdiness and stability.
- The Baby Bassinet's locking mechanism is located on the wall, making it inaccessible to infants. This was designed to prevent injuries to fingers frequently associated with a two-point system.
- Tulmar's Baby Bassinet was designed to provide ultimate comfort and style.
- Tulmar's Baby Bassinet is the easiest bassinet to clean on the market. The vinyl material is fast and simple to clean.
- Complete maintenance services are offered to bassinet customers.
- Approved for installation onboard Boeing and Airbus aircrafts.

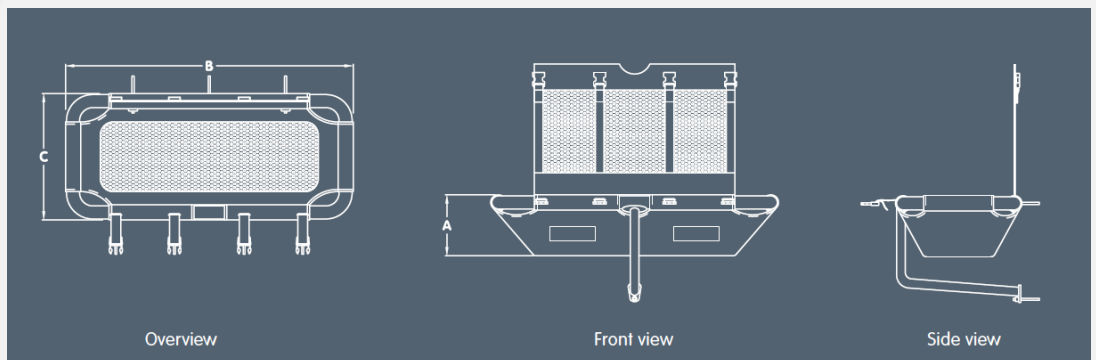
Technical Specifications



Materials

6061T6 aluminum frame
Vinyl fabric

WEIGHTS & DIMS		
	OPEN	FOLDED w/case
Weight	7.25 lbs. (3.29 kg)	
Height	7" (178 mm)	3.5" (89 mm)
Width	32" (813 mm)	33.7" (856 mm)
Depth	14.5" (368 mm)	16" (406 mm)



LIFE VESTS & JACKETS



EAM TSO Life Vest - Infant

P/N 6150 & EA-P0640-XXX

This specially designed and affordable life vest is made exclusively for children less than 35 lbs. (16 kg). EAM infant vests come in USA and European versions, for the constantly changing safety markets of commercial carriers. This series is available in various packaging formats.



EAM TSO Life Vest XF-35 Series

P/N EA-P01074-XXX

The XF-35 is only 1.13 lbs. (513 grams). The XF-35 offers significant fuel savings to operators wishing to stay with the added security of a twin-cell vest. This series is available in various packaging formats.

LIFE VESTS & JACKETS



EAM TSO Life Vest UXF-35 Series

P/N EA-P01202-XXX

This single cell vest is the lightest weight aviation vest in the world, weighing only .9 lbs. (410 grams). This series is available in various packaging formats.



EAM TSO Life Vest AIC-35 (Universal)

P/N EA-P01400-XXX

EAM's Universal Series Life Preserver is designed with an open area collar to be placed over the head and onto the neck and shoulder area, so that the vest rest on the chest of the wearer over 35 lbs.

The vest is secured to the wearer using a harness strap. Inflation is accomplished by either CO2 or oral inflation. Each vest is equipped with a light system assembly. The AIC-35 life preserver is also designed for use on infants and small children weighing under 35 lbs. This series is available in various packaging formats.

CONSTANT WEAR VESTS



Bravo Vest

P/N EA-P01190-XXX

This continuous wear, yoke style life vest is ideal for helicopter crew. The Bravo's compact, lightweight design includes a 2-inch, extra wide, waist strap for comfort and security. Equipped with water-activated light, retro-reflective tape and a whistle. Optional storage pouches attach to the waist strap to hold signal kit or PLB, ELT or EPIRB. Easy fold lines for repackaging.



Titan XF Vest

P/N EA-P01253-2XX

The Titan-XF Life Preserver is designed for wear by passengers and crew aboard an aircraft during flight over water. While in flight, the Titan-XF is worn deflated and folded to a compact size to provide maximum comfort and mobility for the wearer. When fully inflated, the Titan-XF provides 35 lbs. of buoyancy to help the wearer stay afloat while in the water.

Each Titan XF is equipped with retro-reflective tape on the buoyancy cell, whistle and light and battery assembly.



Heli-Vest

P/N EA- P0723E109P

This twin cell vest comes in a standard or heavy-duty pouch engineered especially for use by passengers in helicopter tour operations. Pouch pack design buckles around the waist for constant wear. The life preserver can easily be pulled out and donned over the head with one quick motion, using a single hand.

SURVIVAL LIFE RAFTS



EAM Life Rafts

Tulmar represents Eastern Aero Marine in Canada, bringing the product lines of North America's premier life raft producers to the Canadian market. Our partnership with EAM extends from sales and distribution of life rafts and survival equipment to maintenance inspection, repair and re-certification. Available with yearly or 3 years inspection interval.

Available Raft Sizes:

- 2, 4, 5, 6, 7, 9, 12, 25, 32, 46 & 56 man rafts are available.
- FAR 121, FAR 135 & JAR OPS kit according to raft size and model

Available Accessories:

- Survival & SEP kits
- ELTs
- EPIRB
- Transmitter Radio

Winslow Life Rafts

Tulmar represents Winslow in Canada, bringing the product lines of North America's premier life raft producers to the Canadian market. Our partnership with Winslow extends from sales and distribution of life rafts and survival equipment to maintenance inspection, repair and re-certification. Available with yearly inspection interval.

Available Raft Sizes:

- 2, 4, 5, 6, 7, 9, 12, 25, 32, 46 & 56 man rafts are available.
- FAR 121, FAR 135 & JAR OPS kit according to raft size and model

Available Accessories:

- Survival & SEP kits
- ELTs
- EPIRB
- Transmitter Radio

Life Raft Rentals

Tulmar can provide life rafts on a short- or long-term rental basis, or while your life raft is being overhauled or you are waiting delivery of a new purchase. Each rental comes Complete with SEP Kit and optional ELT. We have provided rental rafts for film productions, advertising photo shoots and other unique requirements.

aviation@tulmar.com

KITS

Unruly Passenger Kit

P/N 6415-008 / 004

Onboard several international airlines, Tulmar offers a solution when you have exhausted all means of communication and need to subdue an unruly passenger.

Tulmar's Restraint Kit is packaged in a fire and fungus resistant pouch complete with hand and foot restraints & chest strap, with a modified lock mechanism for training use. The unit can be customized on demand.



Environment Survival Kit

Tulmar provides essential survival equipment with a customizable list of content.



EAM First Aid Kit

First Aid Kits (FAK) components are housed in mountable metal containers. Kits contain items such as bandages, antiseptic swabs, and ammonia inhalants.



PROTECTIVE BREATHING EQUIPMENT (PBE)



Essex TSO PBE

P/N MR-10022N

The Protective Breathing Equipment (PBE) supplies oxygen to crewmembers through the use of compressed aviator grade oxygen. The PBE dons in only 15 seconds, with a unique design that eliminates the need for an oral/nasal mask. The amber-tinted hood provides 270° of visibility and the elastic neck seal requires no adjustment. The PBE provides 15 minutes of oxygen and one size fits most adults. This lightweight smokehood takes very little stowage space and is currently used by 90% of the Commercial Airline Industry in the United States.

Optional Accessories

- PBE Pouch
- PBE Box



Essex Self Containment Unit

P/N MR-10010N

The Self-Contained Unit (SCU) is a lightweight, portable, protective breathing device. Designed to safeguard a passenger, the SCU provides up to 60 minutes of protection from the effects of decompression, smoke, carbon dioxide, harmful gases or oxygen deficiency during an in-flight emergency on private aircraft. The patented hood takes less than 15 seconds to don and this smokehood provides 360° visibility allowing the wearer to see, hear, talk and move freely.

Optional Accessories

- SCU Pouch

FIRE CONTAINMENT SYSTEMS (FCS)



LIBIK-LD, For Flight Deck Safety – By Cellblock FCS

This fire containment and suppression unit was specifically developed for airline flight decks.

If a personal electronic device, such as a tablet or phone, gets overly hot, it can be placed in the LIBIK-FD unit. The CellBlockEX will immediately start absorbing the heat, and any smoke or fumes, if present. No water is needed. If a thermal runaway happens while the device is in the LIBIK-FD, the entire event will be suppressed and contained safely.

After a thermal event, LIBIK-FD bag remains uncompromised and is ready to be cleaned and recharged with a replacement PED-Pad.



Transportation / Storage Cases – By Cellblock FCS

Fabricated with CellBlock FCS panels, these transportation and storage cases allow for the safe transport of LI batteries and the devices containing them. Within the lid, CellBlockEX is packed into a burn-through fabric lining designed to release the recycled glass spheres, if and when a fire occurs. Once released, the beads form an impervious silicate shell around the burning object, displacing oxygen, absorbing smoke and heat while suffocating the fire.

Want to order?

If you are interested in one of our fire containment system, send us an email and we will be glad to answer your questions or send you a quote.

aviation@tulmar.com

SERVICES

Repair and Overhaul

AOG Services available 24/7

Tulmar provides MRO services for both Tulmar brand and selected OEM products.

Tulmar is an Approved Maintenance Organization for the maintenance of aircraft components. We inspect, repair and re-certify a wide range of aeronautical safety equipment. (AMO 67-92 and EASA 145.7269)

Approved repair station for:

- Winslow
- AMSAFE
- Essex
- EAM
- Katadyn

Products we provide R&O for:

- Life Rafts
- Life Vests
- Survival and First Aid Kits
- ELTs
- Training Equipment
- Seat Covers
- Aircrafts seat restraints
- Unruly Passenger Restraint Kits
- Desalination Pumps
- Not on the list? Ask us!

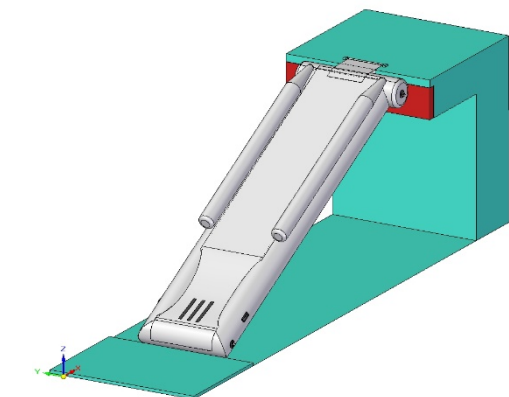
Cabin Interior Services

Tulmar supports aircraft interiors specialists and MROs with contract manufacturing of aircraft interior components including: seat covers, curtains, carpets, galley flooring, manufacturing cargo nets and stowage assemblies to drawing. We provide cutting and sewing services, kitting, inventory management and value-added logistics solutions. Contact Tulmar at aviation@tulmar.com to discuss your subcontracted manufacturing needs.

Solutions Design

Tulmar offers solutions design services to companies requiring assistance on their projects. These design include engineering services, product designs, drawing and more, as required. Acceptance of a projects vary on the project value, size, timing and the availability of our resources.

To get design services, contact aviation@tulmar.com and you will be guided on the process to follow to obtain a quote.





www.tulmar.com

1123 Cameron Street

Hawkesbury, Ontario

K6A 2B8, Canada

 - +1.613.632.1282

aviation@tulmar.com

TULMAR